

FORWARDED BY REGISTERED MAIL

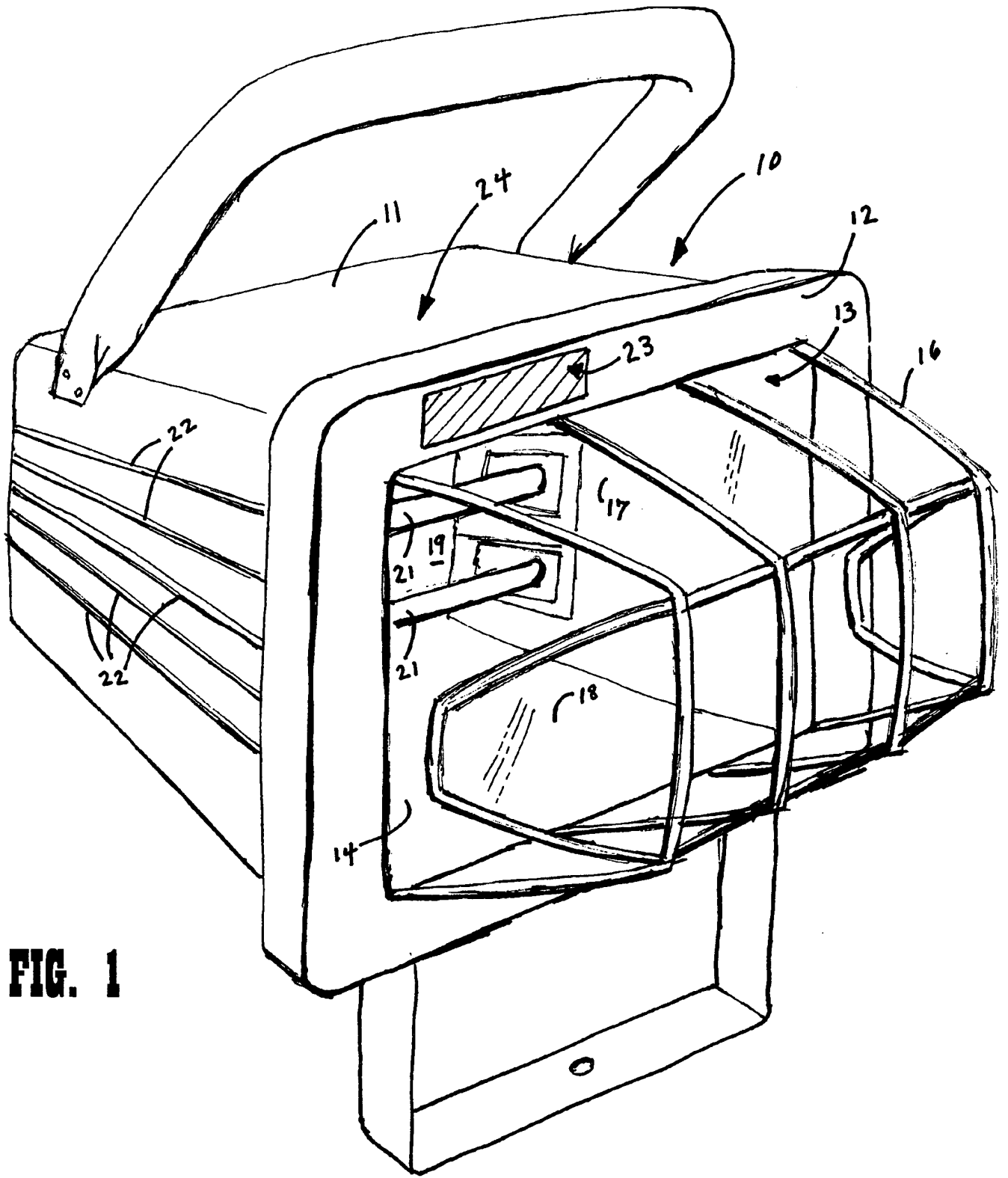


FIG. 1

FOSSO "HETFOSSO"

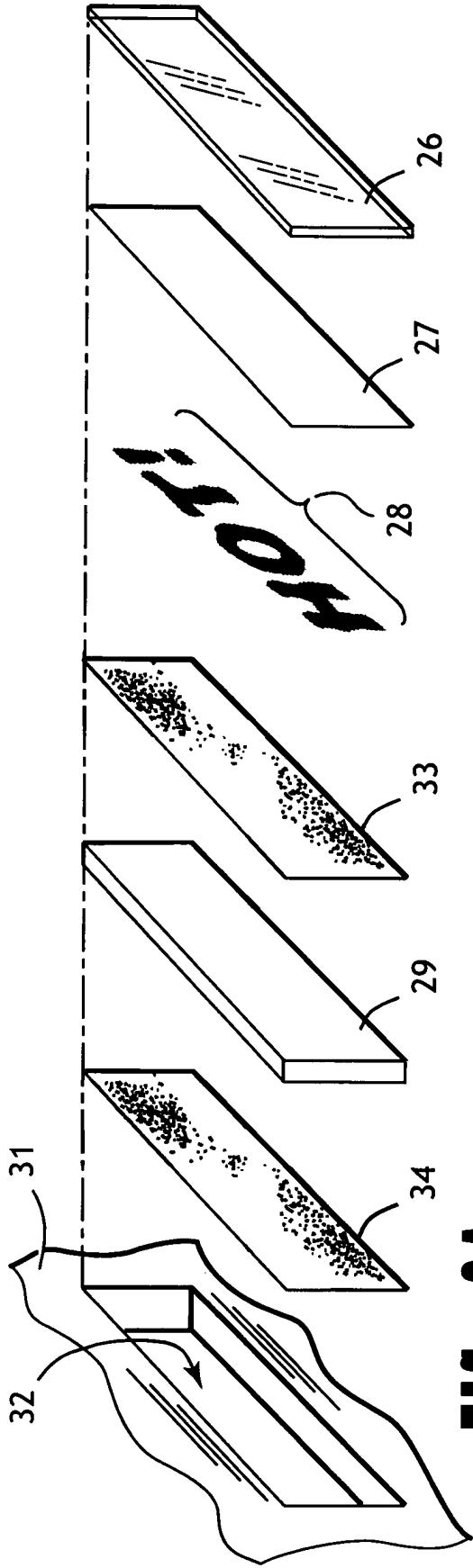


FIG. 2A

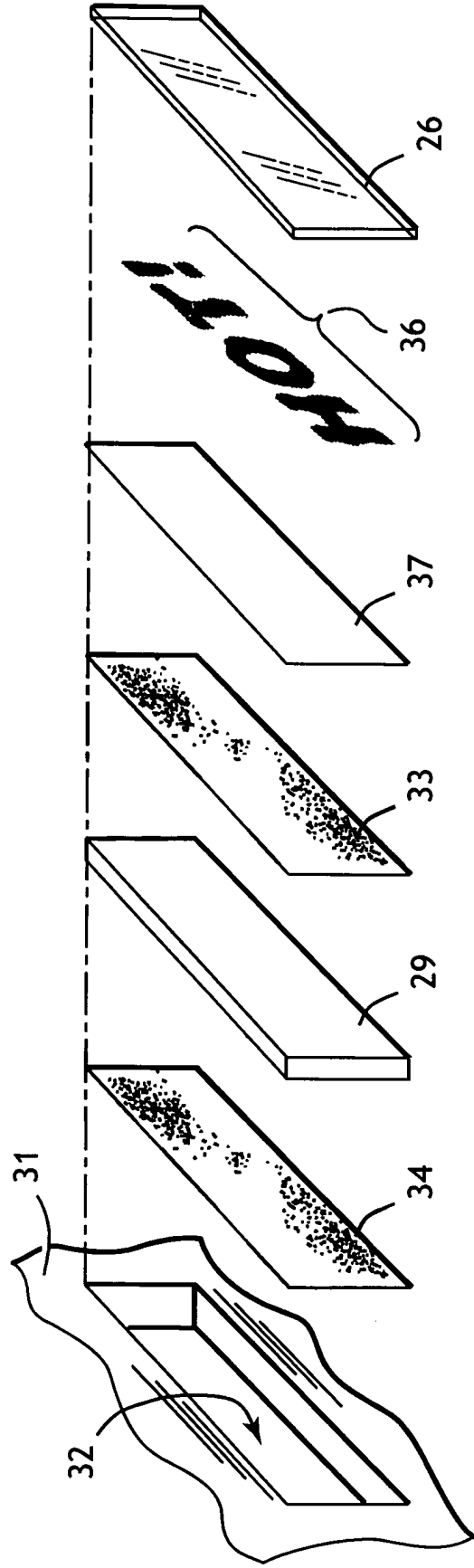


FIG. 2B